

Xcab WS 4U-12U, 19'' width, 450 mm depth



Standard:

- Comply with ANSI/EIA RS-310-D, IEC297-2, DIN41491 part 1,part 7, DIN41494 standard

Feature:

- Front door made out of glass
- Easy mounting installation (patent);
- 10'' or 19'' standard installation;
- Characteristics,elegant appearance, easy assembly; significant reduction in transportation and storage cost.

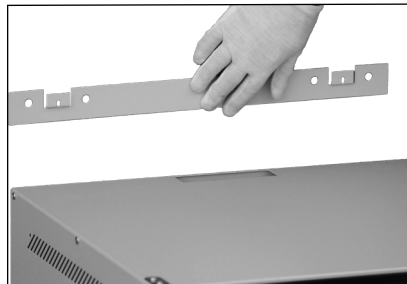


Loading Capacity:

- 30KG .

Degree of Protection:

- IP20 .



Material:

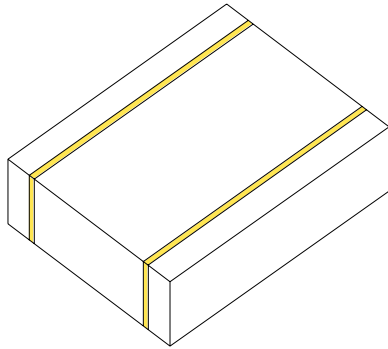
- SPCC Cold Rolled Steel;
 - Thickness: Mounting profile: 1.5mm, others: 0.8mm .
- surface finish:

Surface finish:

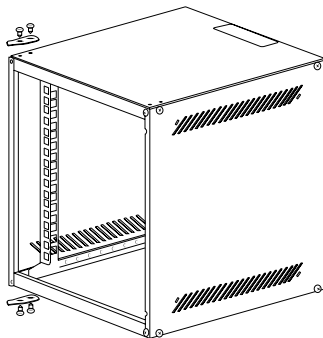
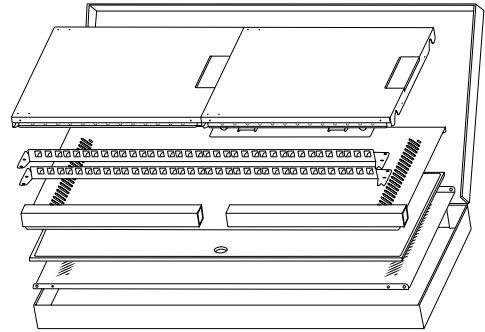
- Degreasing, phosphoric, powder coated.

Xcab WS 4U-12U, 19'' width, 450 mm depth

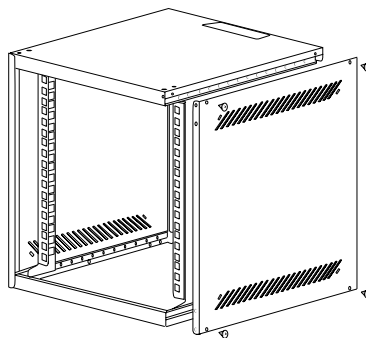
Assembling draft



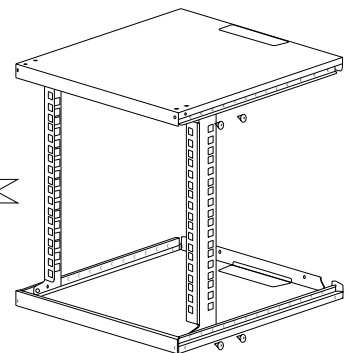
Package



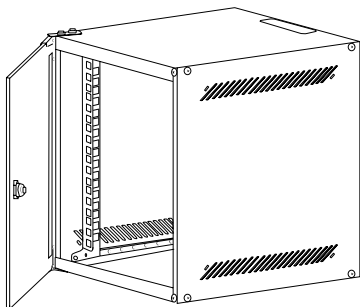
Use M4*6 screw to fix the top & bottom spring bolt (but not fix the top spring bolt tightly, for installing front door), the fix cushion.



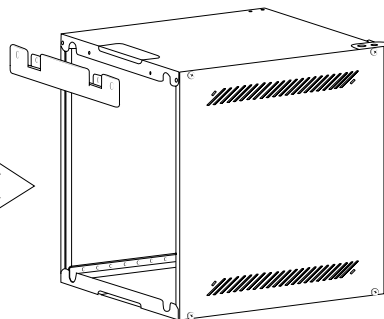
Use M4*6 screw to fix the side panel to the outer side face of top & bottom cover.



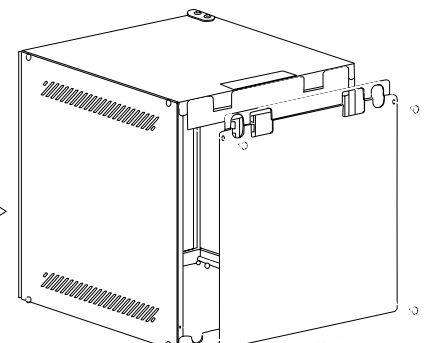
Use M4*6 screw to fix the mounting profile to the inner panel of top & bottom cover.



Install the front door, ensuring the gap between door and frame well-proportioned, then fix the top spring bolt.

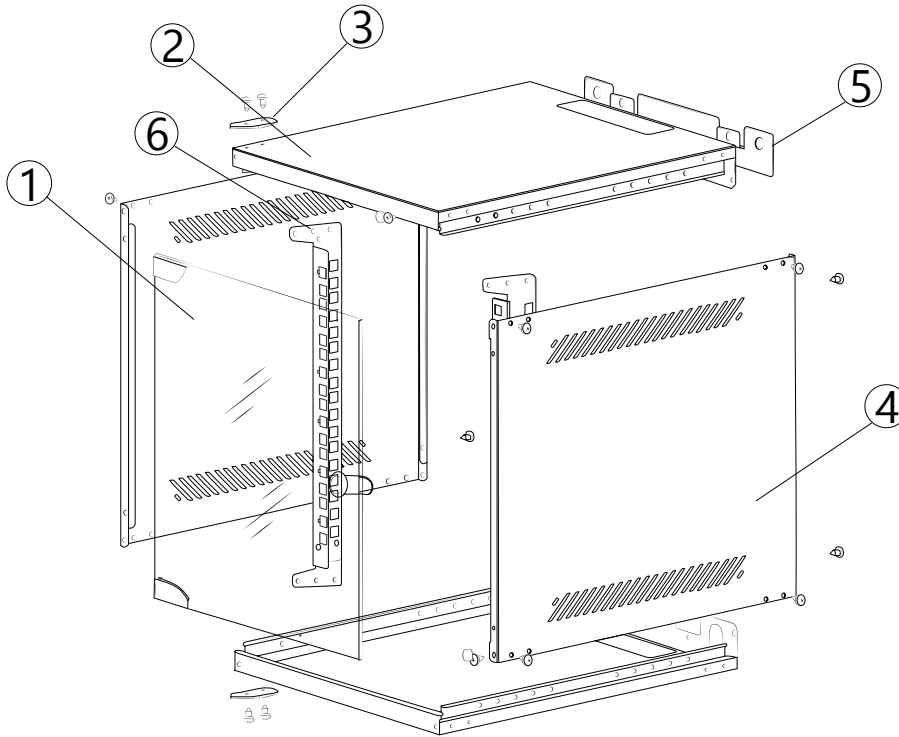


Use M3.5*6 screw to fix the frame to the mounting panel frame inner to outer (mounting panel should be fixed to the wall first).

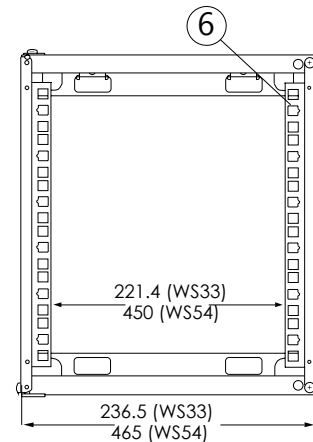
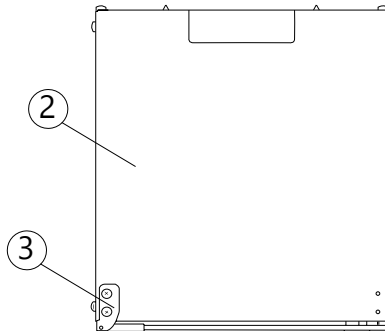
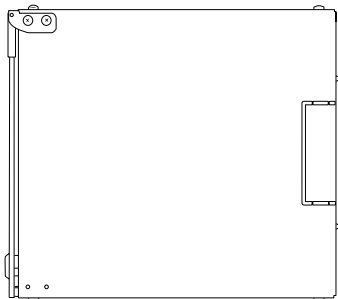
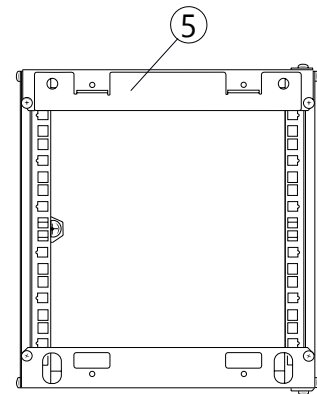
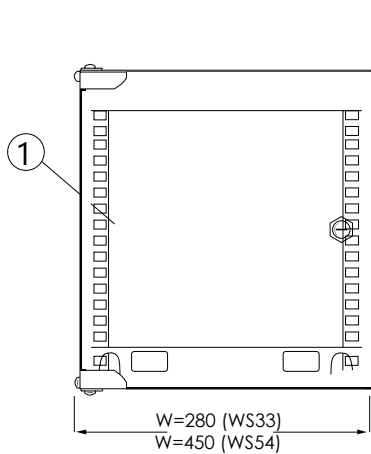
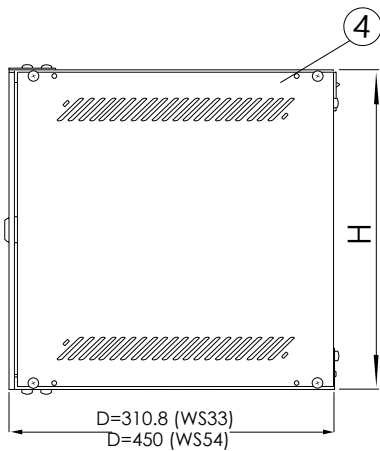


Back panel (optional) Assembling draft.

Xcab WS 4U-12U, 19'' width, 450 mm depth



- 1. Front door
- 2. Top & bottom cover
- 3. Hinge installation
- 4. Side panel
- 5. Mounting panel
- 6. Mounting profile



Xcab WS 4U-12U, 19'' width, 450 mm depth

S/N	Specification	Quantity	Unit	Material	Surface Finish	Remark
1	Front door	1	Piece	5MM toughed glass door		--
2	Top & bottom cover	2	Piece	SPCC Cold rolled steel t0.8	Powder coated	--
3	Hinge installation	2	Piece	SPCC Cold rolled steel t1.2	Nickel coated	--
4	Side panel	2	Piece	SPCC Cold rolled steel t0.8	Powder coated	--
5	Mounting panel	1	Piece	SPCC Cold rolled steel t1.2	Powder coated	--
6	Mounting profile	2	Piece	SPCC Cold rolled steel t1.5	Powder coated	--
7	Small round lock	1	Piece	--	--	With 2 keys
8	M6 Square nut	10	Piece	Steel	Color zinc	20pcs for over 12U
9	M6 B-head screw	10	Piece	Steel	Color zinc	20pcs for over 12U
10	M10 Swell screw	2	Piece	Steel	Color zinc	--
11	Allen wrench	1	Piece	Steel	Black	--

Model No.	Capacity (U)	Width (mm)	Depth (mm)	Height (mm)	Packing Dimension	Volume (CBM)
Xcab-4U45WS	4	520	450	241	530*450*65	0.0155
Xcab-6U45WS	6			330	530*450*65	0.0155
Xcab-9U45WS	9			463	530*465*65	0.016
Xcab-12U45WS	12			596	530*600*65	0.0207